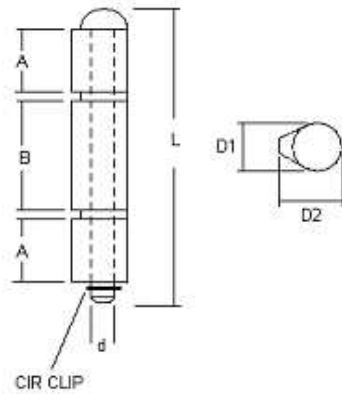




CALMORE

Hinges
Hardware
& Mixers



**Code no. 14-020
LOOSE PIN 3-PART HINGES**

■ With loose pin

Options

- Hinge Material steel, stainless steel Grade 304 (ST/ST)
- Pin Material steel, brass, stainless steel
- Grease Nipple with or without
- Brass washers or Thrust roller bearings

Code	Length = L	Cross Section = D1/D2	Pin dia = d	Part A = A	Part B = B	Hinge Material	Pin Material	Grease Nipple	Weight (kg)
14-020ASG	135	18/22.5	12	30	50	Steel	Steel	Yes	0.27
14-020ASN	135	18/22.5	12	30	50	Steel	Steel	No	0.27
14-020ABG	135	18/22.5	12	30	50	Steel	Brass	Yes	0.27
14-020ABN	135	18/22.5	12	30	50	Steel	Brass	No	0.27
14-020ASS	135	18/22.5	12	30	50	ST/ST	ST/ST	No	0.27
14-020BSG	150	20/25.5	13	35	55	Steel	Steel	Yes	0.40
14-020BSN	150	20/25.5	13	35	55	Steel	Steel	No	0.40
14-020BBG	150	20/25.5	13	35	55	Steel	Brass	Yes	0.40
14-020BBN	150	20/25.5	13	35	55	Steel	Brass	No	0.40
14-020BST	150	20/25.5	13	35	55	Steel	ST/ST	No	0.40
14-020BSS	150	20/25.5	13	35	55	ST/ST	ST/ST	No	0.40
14-020CSG	180	20/25.5	13	45	65	Steel	Steel	Yes	0.48
14-020CSN	180	20/25.5	13	45	65	Steel	Steel	No	0.48
14-020CBG	180	20/25.5	13	45	65	Steel	Brass	Yes	0.48
14-020CBN	180	20/25.5	13	45	65	Steel	Brass	No	0.48
14-020CST	180	20/25.5	13	45	65	Steel	ST/ST	No	0.48
14-020CSS	180	20/25.5	13	45	65	ST/ST	ST/ST	No	0.48
14-020DSG	200	23/29	16	48	78	Steel	Steel	Yes	0.71
14-020DSN	200	23/29	16	48	78	Steel	Steel	No	0.71
14-020DBG	200	23/29	16	48	78	Steel	Brass	Yes	0.71
14-020DBN	200	23/29	16	48	78	Steel	Brass	No	0.71
14-020DST	200	23/29	16	48	78	Steel	ST/ST	No	0.71
14-020DSS	200	23/29	16	48	78	ST/ST	ST/ST	No	0.71

Dimensions in mm