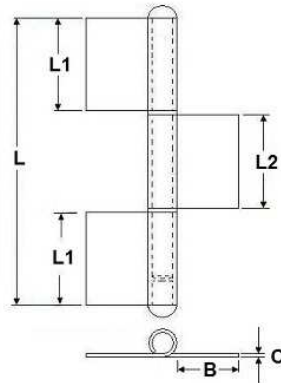




RIGHT HAND



LEFT HAND

**Code no. 17-050**  
**ROLLED FLAG HINGES**

- Loose pin, 3 part rolled hinges
- With round end caps, no holes
- Hinges are handed

**Options**

- Hinge Material                      Steel, Stainless Steel
  - Pin Material                            Steel, Stainless Steel, Brass
  - Finish
- The steel hinges are self colour; the stainless steel hinges have polished or matt finish.

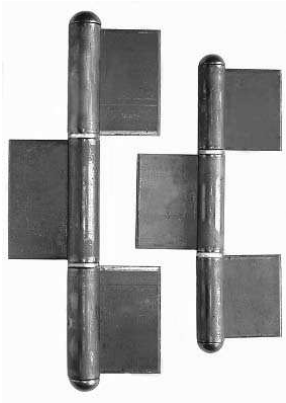
Code	Length = L	Width = B	Thickness = C	Section Length = L1	Middle Section Length = L2	Pin dia = D	Hinge Material
17-050A	135	30	3	40	50	10	Steel
17-050S	135	30	3	40	50	10	ST/ST
17-050B	223	50	4	70	80	14	Steel
17-050C	290	50	5	90	100	16	Steel

Code	Hinge Material	Pin Material	Washer Material
17-050A	Steel	Steel, Stainless Steel, Brass	Brass
17-050S	ST/ST	Stainless Steel	Stainless Steel
17-050B	Steel	Steel, Stainless Steel, Brass	Brass
17-050C	Steel	Steel, Stainless Steel, Brass	Brass

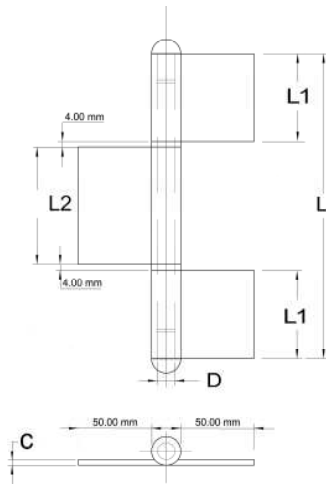
Dimensions in mm



Hinges  
Hardware  
& Mixers



RIGHT HAND



RIGHT HAND

Code no. 17-050  
ROLLED FLAG HINGES

- Loose pin, 3 part rolled hinges
- Hinge material: stainless steel 304
- With round end caps, no holes
- Hinges are handed

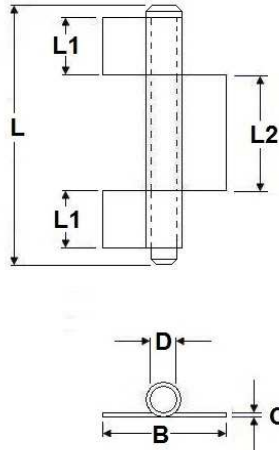
Options

- Finish  
The stainless steel hinges have polished or matt finish.

Code	Length = L	Width = B	Thickness = C	Section Length = L1	Middle Section Length = L2	Pin dia = D
17-050D	200	50	4	60	80	12
17-050E	220	50	4	70	80	14
17-050F	240	50	4	70	100	16
17-050G	240	50	5	70	100	16
17-050H	260	50	5	80	100	16
17-050J	260	50	6	80	100	20
17-050K	300	50	6	90	120	20

Code	Hinge Material	Pin Material	Washer Material
17-050D	Stainless Steel	Stainless Steel	Stainless Steel
17-050E	Stainless Steel	Stainless Steel	Stainless Steel
17-050F	Stainless Steel	Stainless Steel	Stainless Steel
17-050G	Stainless Steel	Stainless Steel	Stainless Steel
17-050H	Stainless Steel	Stainless Steel	Stainless Steel
17-050J	Stainless Steel	Stainless Steel	Stainless Steel
17-050K	Stainless Steel	Stainless Steel	Stainless Steel

Dimensions in mm



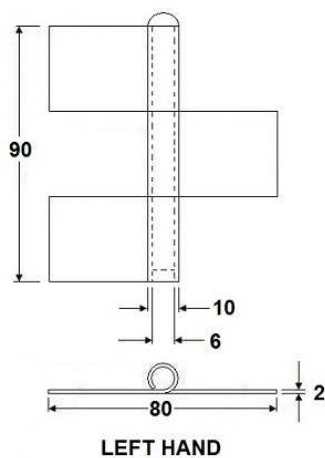
Code no. 17-050  
**ROLLED FLAG HINGES**

- Loose pin, 3 part rolled hinges
- Material: steel
- With one flat end cap
- Without washers or grease nipple
- Hinges are handed

Code	Length = <b>L</b>	Width = <b>B</b>	Thickness = <b>C</b>	Section Length = <b>L1</b>	Middle Section Length = <b>L2</b>	Pin dia = <b>D</b>	Hinge Material	Weight (g)
17-050L	110	105		40	50	15	Steel	270
17-050M	140	95		40	70	18	Steel	400
17-050N	170	110		70	80	20	Steel	640
17-050P	200	115		90	100	22	Steel	750

Dimensions in mm

Code no. 17-050  
**ROLLED FLAG HINGES**



**Code no. 17-050T**

**3-PART ROLLED FLAG HINGES**

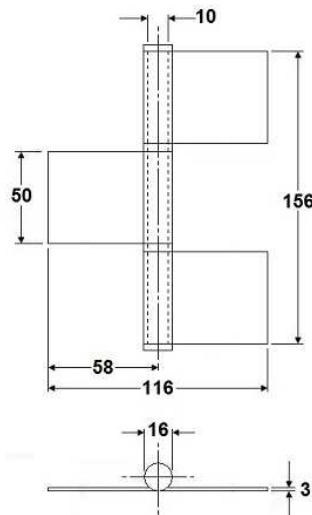
- Stainless steel 304 body with loose stainless steel pin  $\varnothing$  6 mm
- Plain steel finish, 3 knuckles of each L2=30 mm and knuckle  $\varnothing$  10 mm, suitable for welding
- Loose pin:  $\varnothing$  6 x 76 mm with top rounded head
- Without washers

• Options: Left Hand, Right Hand

- L 90 x B 80 x 2 mm, pin dia. 6 mm



**LEFT HAND**



**RIGHT HAND**

**Code no. 17-050V**

**3-PART ROLLED FLAG HINGES**

- Stainless steel 316 body with loose stainless steel pin  $\varnothing$  10 mm
- Plain S/S finish, 3 knuckles of each L2=50 mm and knuckle  $\varnothing$  16 mm, suitable for welding
- Loose pin:  $\varnothing$  10 mm with top flat head with 2 pcs of stainless steel bearings

• Options: Left Hand, Right Hand

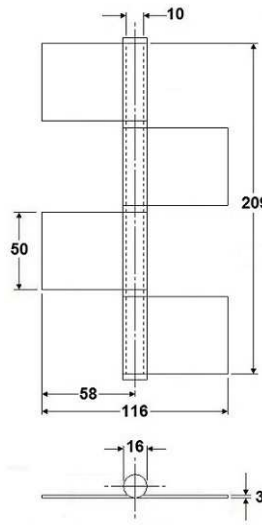
- L 156 x B 116 x 3 mm, pin dia. 10 mm

**Code no. 17-050VB**

- L 162 x B 116 x 3 mm, pin dia. 10 mm
- with 2 pcs of stainless steel bearings

Dimensions in mm

Code no. 17-050  
**ROLLED FLAG HINGES**



**Code no. 17-050X**

**4-PART ROLLED FLAG HINGES**

- Stainless steel 316 body with loose stainless steel pin  $\varnothing$  10 mm
- Plain S/S finish, 4 knuckles of each L2=50 mm and knuckle  $\varnothing$  16 mm, suitable for welding

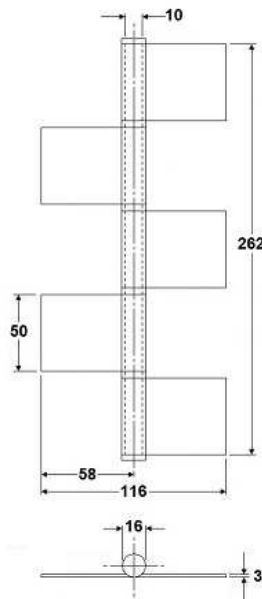
- Loose pin:  $\varnothing$  10 mm with top flat head with 3 pcs of stainless steel bearings

- Options: Left Hand, Right Hand

- L 209 x B 116 x 3 mm, pin dia. 10 mm

**Code no. 17-050XB**

- the same hinge as above, with 3 pcs of stainless steel bearings



**Code no. 17-050Y**

**5-PART ROLLED FLAG HINGES**

- Stainless steel 316 body with loose stainless steel pin  $\varnothing$  10 mm
- Plain S/S finish, 5 knuckles of each L2=50 mm and knuckle  $\varnothing$  16 mm, suitable for welding
- Loose pin:  $\varnothing$  10 mm with top flat head with 4 pcs of stainless steel washers

- Options: Left Hand / Right Hand

- L 262 x B 116 x 3 mm, pin dia. 10 mm

**Code no. 17-050YB**

- the same hinge as above, with 4 pcs of stainless steel bearings

Dimensions in mm