

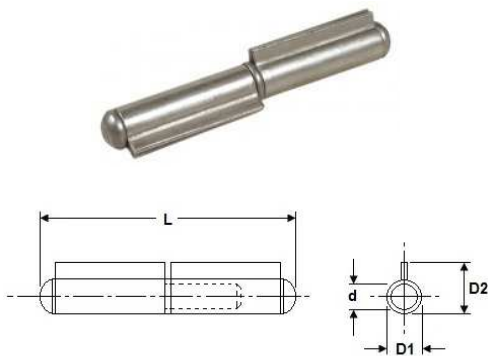
Code no. 18 WELD-ON BARREL HINGES

Options

- Hinge Material steel, stainless steel
- Pin & Washer Material steel pin with brass washer, S/S pin with S/S washer
- Grease Nipple no

Code no.18-010

Weld-on barrel hinge with fixed pin. Material: mild steel



Code	Length = L	Cross Section = D1 / D2	Pin dia = d
18-010A	60	12/17	8
18-010B	80	12/17	8
18-010C	100	13.5/19	9
18-010D	120	14.5/20	10
18-010E	140	16/21	11
18-010F	170	17/23.5	12
18-010G	200	20/26.5	14

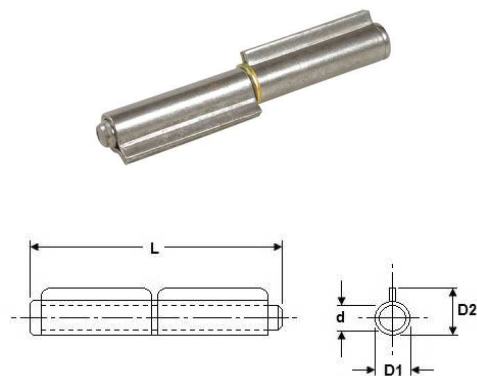
Weld-on barrel hinge with fixed pin.

Material: stainless steel

18-010BS	80	12/17	8
18-010CS	100	13.5/19	9
18-010DS	120	14.5/20	10
18-010ES	140	16/21	11

Code no.18-020

Weld-on barrel hinge with loose pin. Material: mild steel
White galvanized pin, washer and wings



Code	Length = L	Cross Section = D1 / D2	Pin dia = d
18-020A	60	9.5/13	6
18-020B	80	12/16.5	8
18-020C	100	13.5/18	8.5
18-020D	120	15/19.5	10
18-020E	140	16.6/22	10.5
18-020F	170	17.5/23.5	12
18-020G	200	20/25	14

*Material: S=stainless steel for B, C, D & E

Dimensions in mm

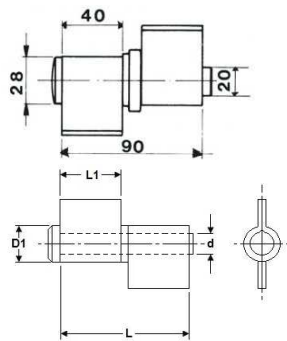


Hinges
Hardware
& Mixers

Code no. 18 WELD-ON BARREL HINGES

Options

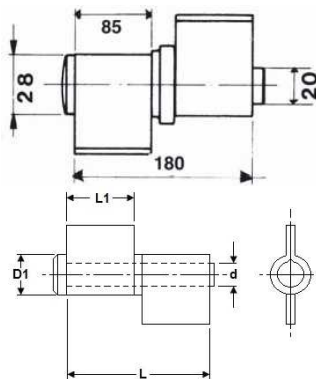
- Hinge Material steel
- Pin & Washer Material please check the individual code
- Grease Nipple no



Code no.18-030C

Heavy duty hinge with loose pin, closed wings
Max door weight 80kg. Material: mild steel body & pin

Code	Length = L	Length = L1	Cross = D1	Pin dia = d	Note
18-030C	90	40	28	20	Brass washer
18-030CR	90	40	28	20	Ball bearing



Code no.18-030CL

Heavy duty hinge with loose pin, closed wings
Max door weight 100kg. Material: mild steel body & pin

Code	Length = L	Length = L1	Cross = D1	Pin dia = d	Note
18-030CL	180	85	28	20	Brass washer
18-030CLR	180	85	28	20	Ball bearing

Dimensions in mm

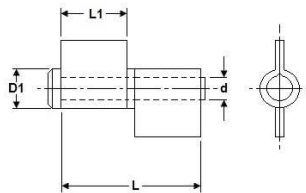
Code no. 18 WELD-ON BARREL HINGES

Options

- Hinge Material steel, stainless steel
- Pin & Washer Material steel pin with brass washer, S/S pin with S/S washer
- Grease Nipple no

Code no.18-030D

Heavy duty hinge with loose pin, closed wings
18-030D: designed for the max. door weight 30kg
18-030DM: designed for the max. door weight 50kg

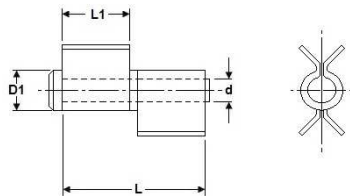


Material: mild steel body

Code	Length = L	Length = L1	Cross = D1	Pin dia = d
18-030D	90	40	18	12
18-030DM	90	41	23	16

Code no.18-030E

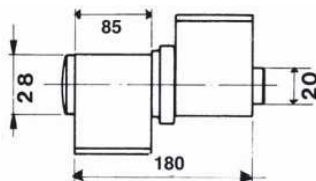
Heavy duty hinge with loose pin
18-030E: designed for the max. door weight 30kg
18-030EB: designed for the max. door weight 50kg
18-030ES: designed for the max. door weight 50kg



Code	Length = L	Length = L1	Cross = D1	Pin dia = d	Material
18-030E	90	40	18	12	Steel
18-030EB	90	41	23	16	Steel
18-030ES	90	41	23	16	S/S

Code no.18-030EL

Heavy duty hinge with loose pin
Max door weight 100kg. Material: mild steel body & pin



Code	Length = L	Length = L1	Cross = D1	Pin dia = d	Note
18-030EL	180	85	28	20	Brass washer
18-030ELR	180	85	28	20	Ball bearing

Dimensions in mm

Code no. 18 WELD-ON BARREL HINGES

Options

- Hinge Material steel, stainless steel
- Pin & Washer Material please check the individual code
- Grease Nipple no

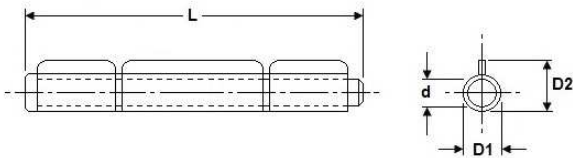


Code no.18-050

3-part heavy duty hinge with loose pin

Material: steel body with galvanized pin, washer
Or, fully in stainless steel

Max. door weight: 70, 90, 100, 100, 120, 140kg
L 80, 100, 120, 140, 170, 200 mm hinges



Code	Length = L	Cross = D1/D2	Pin dia = d	Material
18-050B	80	12/16.5	8	Steel
18-050BZ	80	12/16.5	8	Steel+Z
18-050BS	80	12/16.5	8	S/S
18-050C	100	13.5/18	8.5	Steel
18-050CZ	100	13.5/18	8.5	Steel+Z
18-050CS	100	13.5/18	8.5	S/S
18-050D	120	15/19.5	10	Steel
18-050DZ	120	15/19.5	10	Steel+Z
18-050DS	120	15/19.5	10	S/S
18-050E	140	16.5/22	10.5	Steel
18-050EZ	140	16.5/22	10.5	Steel+Z
18-050ES	140	16.5/22	10.5	S/S
18-050F	170	17.5/23.5	12	Steel
18-050FZ	170	17.5/23.5	12	Steel+Z
18-200	200	20/27	14	Steel
18-200Z	200	20/27	14	Steel+Z

Dimensions in mm

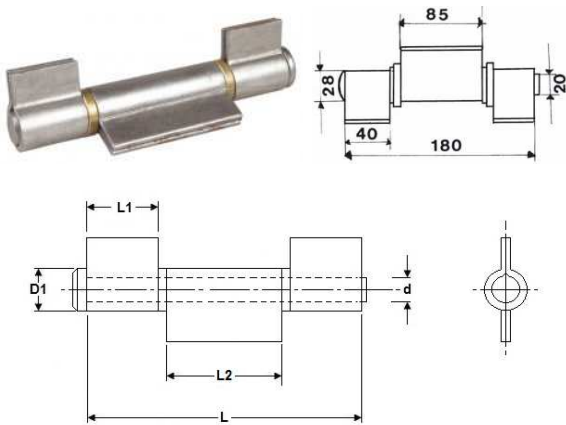


Hinges
Hardware
& Mixers

Code no. 18 WELD-ON BARREL HINGES

Options

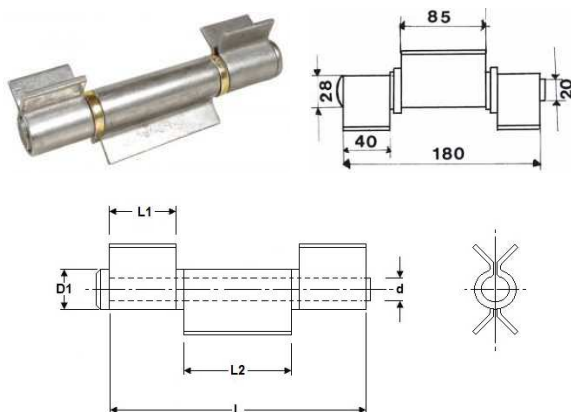
- Hinge Material steel
- Pin & Washer Material please check the individual code
- Grease Nipple no



Code no.18-060

3-part heavy duty hinge with loose pin, closed wings
Max door weight 120kg
Material: mild steel body & pin

Code	Length = L	Length = L2/L1	Cross = D1	Pin dia = d	Note
18-060	180	85/40	28	20	Brass washer
18-060R	180	85/40	28	20	Ball bearing



Code no.18-070

3-part heavy duty hinges with loose pin
Max door weight 120kg
Material: mild steel body & pin

Code	Length = L	Length = L2/L1	Cross = D1	Pin dia = d	Note
18-070	180	85/40	28	20	Brass washer
18-070R	180	85/40	28	20	Ball bearing

Dimensions in mm

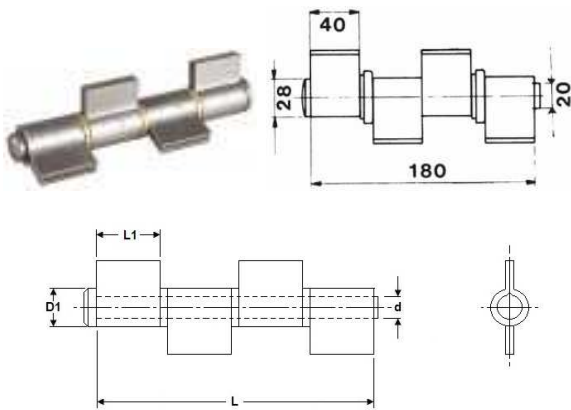


Hinges
Hardware
& Mixers

Code no. 18 WELD-ON BARREL HINGES

Options

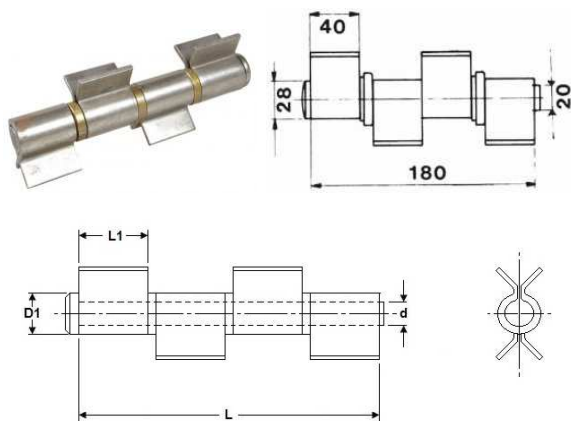
- Hinge Material steel
- Pin & Washer Material please check the individual code
- Grease Nipple no



Code no.18-080

4-part heavy duty hinge with loose pin, closed wings
Max door weight 130kg
Material: mild steel body & pin

Code	Length = L	Length = L1	Cross = D1	Pin dia = d	Note
18-080	180	40	28	20	Brass washer
18-080R	180	40	28	20	Ball bearing



Code no.18-090

4-part heavy duty hinge with loose pin
Max door weight 130kg
Material: mild steel body & pin

Code	Length = L	Length = L1	Cross = D1	Pin dia = d	Note
18-090	180	40	28	20	Brass washer
18-090R	180	40	28	20	Ball bearing

Dimensions in mm