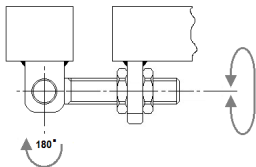
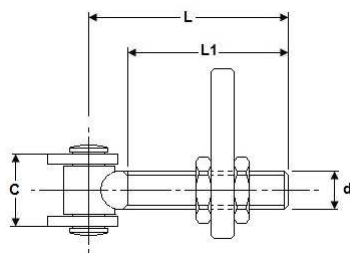
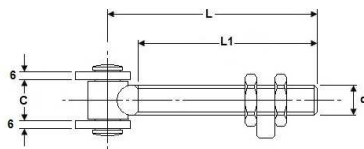


Code no. 21
SWING GATE HINGES

Code no.21-010

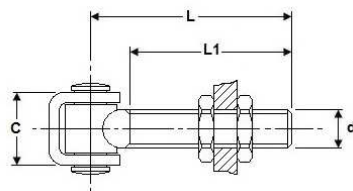
 ADJUSTABLE HINGE FOR WELDING, TO OPEN 180°
 Galvanized steel

Code	Length = L	L1	C	d	Weight (g)
21-010A	105	85	27	12	465
21-010B	110	90	30	16	647
21-010C	165	140	40	20	940
21-010D	170	145	48	24	1420


Code no.21-020

 ADJUSTABLE HINGE FOR WELDING
 Galvanized steel

Code	Length = L	L1	C	d	Weight (g)
21-020A	105	85	15	12	250
21-020B	110	90	30	16	367


Code no.21-030

 ADJUSTABLE HINGE, WITH LONG BOLT
 Galvanized steel

Code	Length = L	L1	C	d	Weight (g)
21-030A	165	140	40	20	638
21-030B	170	145	48	24	968

Dimensions in mm

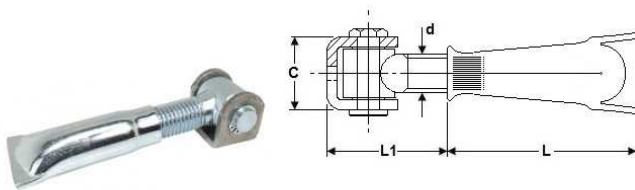


Hinges
Hardware
& Mixers

Code no. 21 SWING GATE HINGES

Code no.21-040

ADJUSTABLE HINGE WITH TUBE TO BE CEMENTED
Galvanized steel



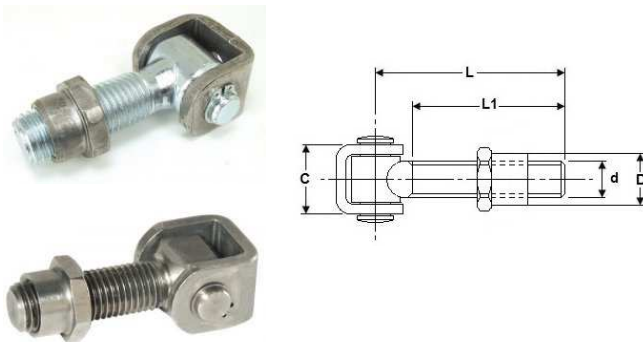
Code	Length = L	L1	C	d	Weight (g)
21-040A	95	-	-	20	510
21-040B	100	-	-	24	750

Code no.21-050

ADJUSTABLE HINGE

Galvanized steel

*stainless steel = S

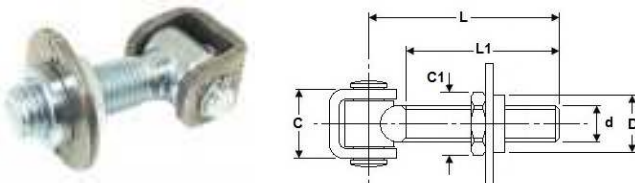


Code	Length = L	L1	C	D	d	Weight (g)
21-050A	56	40	35	25	18	306
21-050B	75	50	41	25	20	430
21-050BS	75	50	41	25	20	430
21-050C	65	45	41	28	22	550
21-050D	72	50	47	30	24	670
21-050DS	72	50	47	30	24	670

Code no.21-060

ADJUSTABLE HINGE

Galvanized steel



Code	Length = L	L1	C/C1	D	d	Weight (g)
21-060A	53	35	43/27	26	16	310
21-060B	56	40	35/30	30	18	385
21-060C	72	52	41/30	30	20	483
21-060D	68	45	41/32	32	22	700
21-060E	72	50	47/36	36	24	750

Dimensions in mm



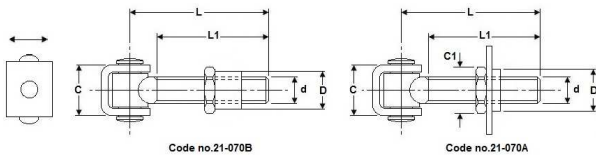
Hinges
Hardware
& Mixers

Code no. 21 SWING GATE HINGES

Code no.21-070A

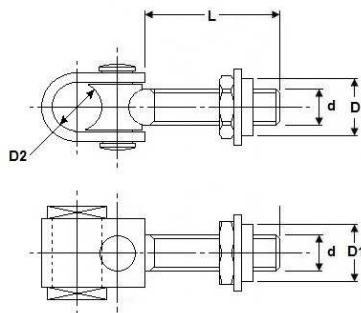


Code no.21-070B



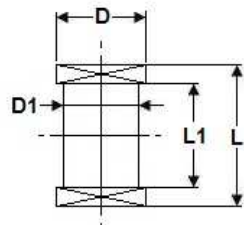
Code no.21-070 ADJUSTABLE HINGE Galvanized steel

Code	Length = L	L1	C/C1	D	d	Weight (g)
21-070A	72	52	41/30	30	20	430
21-070B	72	52	41/30	30	20	483



Code no.21-080 ADJUSTABLE HINGE Galvanized steel

Code	Length = L	D	D2	d	Weight (g)
21-080A	48	48	30	20	525
21-080B	55	55	35	24	755
21-080C	70	70	40	30	1342



Code no.21-081 LOG FOR HINGE CODE NO.21-080 SERIES Finish: plain steel

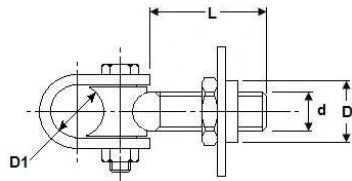
Code	Length = L	D	D1	L1	Weight (g)
21-081A	52	35	30	32	365
21-081B	57	40	35	37	533
21-081C	62	50	40	42	800

Dimensions in mm



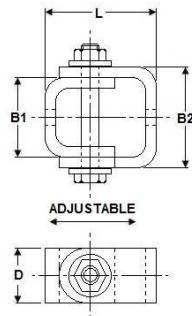
Hinges
Hardware
& Mixers

Code no. 21
SWING GATE HINGES



Code no.21-090
ADJUSTABLE HINGE
Galvanized steel

Code	Length = L	D	D1	d	Weight (g)
21-090J	48	48	30	20	450
21-090K	55	55	35	24	650



Code no.21-100
ADJUSTABLE HINGE
Galvanized steel

Code	Length = L	B1	B2	D	Weight (g)
21-100A	50 / 62	45	60	35	570
21-100B	50 / 62	30	45	30	410

Dimensions in mm

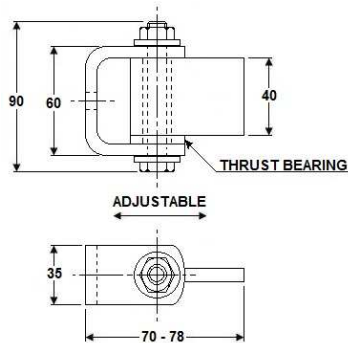


Hinges
Hardware
& Mixers

Code no. 21
SWING GATE HINGES



21-102J

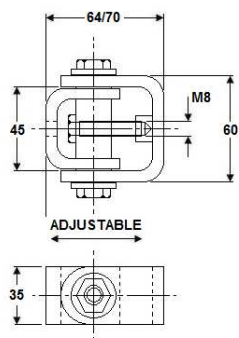


Code no.21-102
ADJUSTABLE HINGE WITH BALL BEARING
Galvanized steel

Code	Length = L	L1	L2	D	d	Weight (g)
21-102J	90	60	40	70.78	35	564
21-102K	90	60	40	70.78	35	1000



21-102K



Code no.21-103
ADJUSTABLE HINGE FOR GATES
Galvanized steel

Code	Length = L	L1	C	D	D	Weight (g)
21-103	60	64/70	45	35	M8	580

Dimensions in mm