

CALMORE

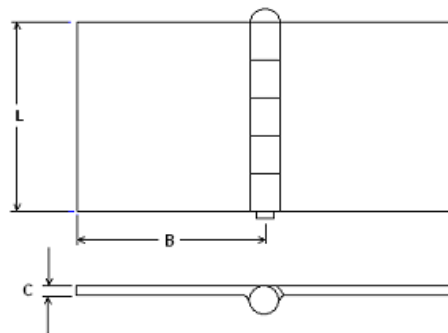
Hinges
Hardware
& Mixers

Code no. 34-300

SOLID PROFILE BUTT HINGES

Heavy duty, mild steel

Round head pin, self colour finish



Code	Length = L	Width = B	Thickness = C	Pin dia = d	Knuckles
34-301	30	40	3	4	5
34-302	30	60	3	4	5
34-303	40	20	3	4	5
34-304	40	40	3	4	5
34-305	40	60	3	4	5
34-306	50	40	3	4	5
34-307	50	60	3	4	5
34-308	60	40	3	4	5
34-309	60	60	3	4	5
34-310	30	30	5	6	5
34-311	30	60	5	6	5
34-312	30	80	5	6	5
34-313	30	100	5	6	5
34-314	40	30	5	6	5
34-315	40	60	5	6	5
34-316	40	80	5	6	5
34-317	40	100	5	6	5
34-318	40	120	5	6	5
34-319	45	30	5	6	5
34-320	45	60	5	6	5
34-321	45	80	5	6	5
34-322	45	100	5	6	5
34-323	45	120	5	6	5
34-324	50	30	5	6	5
34-325	50	60	5	6	5
34-326	50	80	5	6	5

Code	Length = L	Width = B	Thickness = C	Pin dia = d	Knuckles
34-327	50	100	5	6	5
34-328	50	120	5	6	5
34-329	60	30	5	6	5
34-330	60	60	5	6	5
34-331	60	80	5	6	5
34-332	60	100	5	6	5
34-333	60	120	5	6	5
34-334	80	30	5	6	7
34-335	80	60	5	6	7
34-336	80	80	5	6	7
34-337	100	30	5	6	7
34-338	100	60	5	6	7
34-339	100	80	5	6	7
34-340	40	80	6	8	5
34-341	45	80	6	8	5
34-342	45	100	6	8	5
34-343	45	120	6	8	5
34-344	50	80	6	8	5
34-345	50	100	6	8	5
34-346	50	120	6	8	5
34-347	60	80	6	8	5
34-348	60	100	6	8	5
34-349	60	120	6	8	5
34-350	60	150	6	8	5
34-351	70	80	6	8	7
34-352	70	100	6	8	7
34-353	70	120	6	8	7
34-354	70	150	6	8	7
34-355	80	80	6	8	7
34-356	80	100	6	8	7
34-357	80	120	6	8	7
34-358	80	150	6	8	7
34-359	100	80	6	8	7
34-360	100	100	6	8	7
34-361	100	120	6	8	7
34-36X	100	150	6	8	7
34-362	60	40	7	8	5
34-363	60	80	7	8	5
34-364	60	100	7	8	5
34-365	60	120	7	8	5
34-366	60	150	7	8	5
34-367	70	80	7	8	7
34-368	70	100	7	8	7
34-369	70	120	7	8	7
34-370	70	150	7	8	7
34-371	80	40	7	8	7
34-372	80	80	7	8	7
34-373	80	100	7	8	7
34-374	80	120	7	8	7
34-375	80	150	7	8	7
34-376	100	80	7	8	7
34-377	100	100	7	8	7
34-378	100	120	7	8	7
34-379	100	150	7	8	7
34-380	100	110	10	13	5

Dimensions in mm