

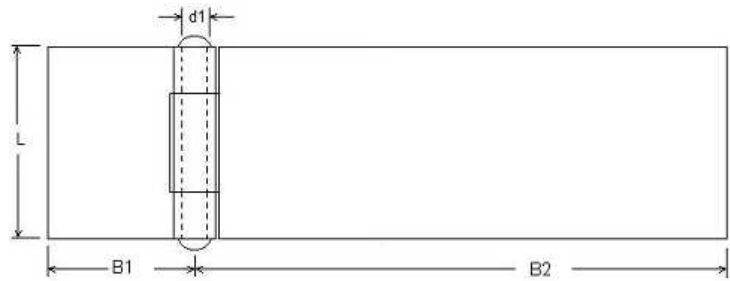
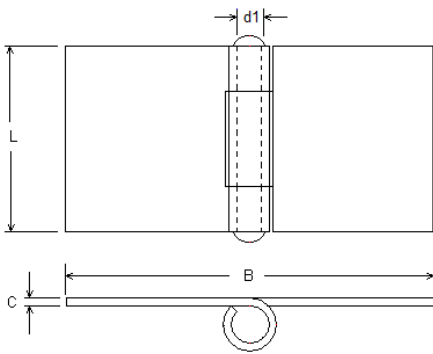


Hinges  
Hardware  
& Mixers

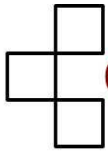


**Code no. 39**  
**HEAVY DUTY ROLLED BUTT HINGES**  
Riveted on both sides

- Options
- Hinge Material steel, stainless steel (ST/ST)
  - Pin Material steel, stainless steel

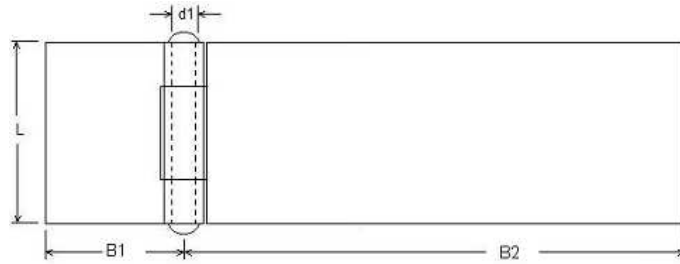


Code	Length = L	Width = B	Thickness = C	Pin dia = d1	Material	Knuckles
39-040A	40	60	3	6	ST/ST	3
39-040B	40	80	3	6	ST/ST	3
39-040C	40	100	3	6	ST/ST	3
39-040D	40	120	3	6	ST/ST	3
39-040E	40	140	3	6	ST/ST	3
39-040F	60	60	3	6	ST/ST	3
39-040G	80	80	3	6	ST/ST	5
39-040H	100	100	3	6	ST/ST	5
39-040S	25	80	2	6	ST/ST	3
39-040T	30	80	2	6	ST/ST	3
39-040U	40	60	2	6	ST/ST	3
39-040V	60	60	2	6	ST/ST	5
39-040W	60	80	2	6	ST/ST	5
39-040X	80	80	2	6	ST/ST	5
39-050A	50	50	3	6	Steel	5
39-050B	50	100	3	6	Steel	5
39-050C	50	50	5	10	Steel	3
39-050D	50	100	5	10	Steel	3
39-050E	25	60	3	6	Steel	3
39-050G	50	180	4	10	Steel	3

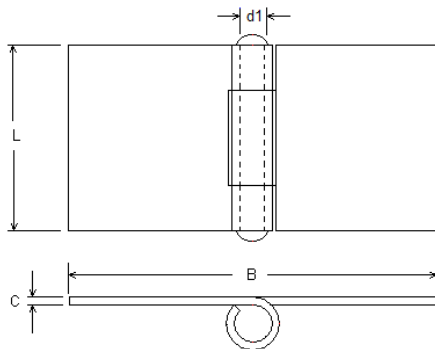


# CALMORE

Hinges  
Hardware  
& Mixers



Code	Length = L	Width = B1/B2	Thickness = C	Pin dia = d1	Material	Knuckles
39-060A	30	25/100	3	6	Steel	3
39-060B	40	40/160	4	8	Steel	3



Code	Length = L	Width = B	Thickness = C	Pin dia = d1	Material	Knuckles
39-070A	30	100	3	6	ST/ST 316	3
39-070B	30	200	3	6	ST/ST 316	3
39-070C	150	180	4	10	ST/ST 316	5

Dimensions in mm