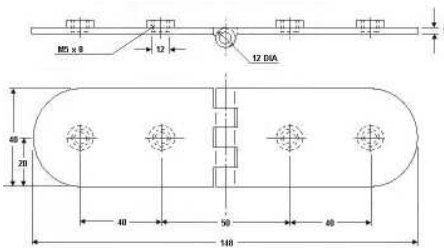




Hinges
Hardware
& Mixers

Code no. 56
ALUMINIUM BUTT, LIFT-OFF AND 3-PART HINGES



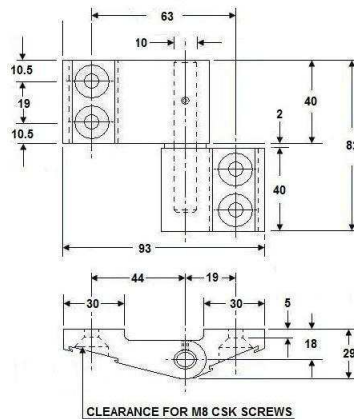
Code No. 56B

Cast Aluminium deck hinge with concealed and recessed bush fittings
4 x M6

Finish: Anodized with Steel Pin **Code No. 56BA**

Drum Tumbled with ST/ST Pin **Code No. 56BB**

Drum Tumbled With Steel Pin **Code No. 56BC**



Code No.56C

ALUMINIUM LIFT-OFF FLAG HINGE
With recessed CSK holes and sliding cover caps
4 x M8

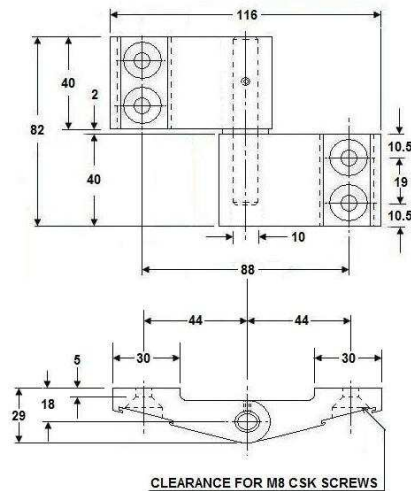
Left/Right handed. Right hand shown
Finish: anodized

Dimensions in mm



Hinges
Hardware
& Mixers

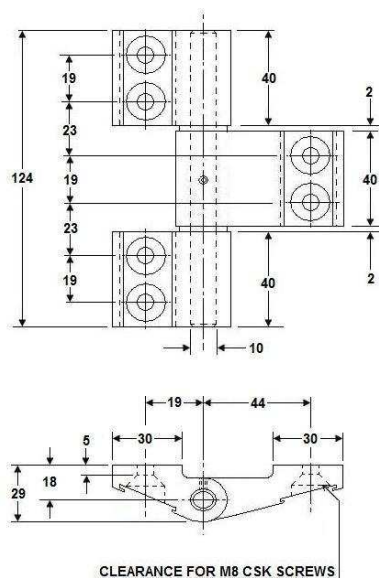
Code no. 56
ALUMINIUM BUTT, LIFT-OFF AND 3-PART HINGES



Code No.56D
ALUMINIUM LIFT-OFF FLAG HINGE
With recessed CSK holes and sliding cover caps
4 x M8

Left/Right handed. Right hand shown

Finish: anodized



Code No.56E
3-PART ALUMINIUM FLAG HINGE
With recessed CSK holes and sliding cover caps
4 x M8

Left/Right handed. Left hand shown

Finish: anodized

Dimensions in mm



CALMORE

Hinges
Hardware
& Mixers

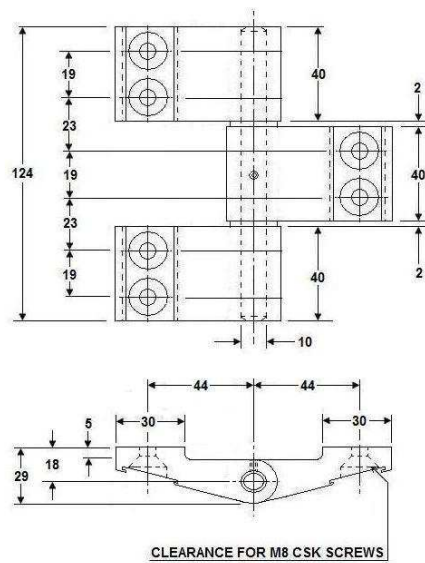
Code no. 56
ALUMINIUM BUTT, LIFT-OFF AND 3-PART HINGES

Code No.56F

3 PART ALUMINIUM FLAG HINGE
With recessed CSK holes and sliding cover caps
4 x M8

Left/Right handed. Left hand shown

Finish: anodized



Dimensions in mm