

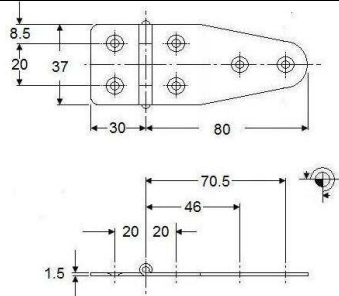


Hinges
Hardware
& Mixers

Code no. 60-080

ROLLED STAINLESS STEEL HATCH/STRAP HINGES

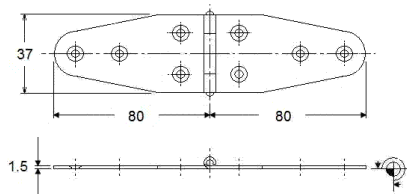
With riveted stainless steel pin, material grade 304 (1.4301)
countersunk holes



ROLLED STRAP HINGE WITH CSK HOLES

Code no. 60-080A

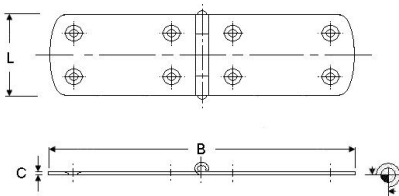
L 37 x 30/80 x C 1.5 mm, Hole dia = 5.2 mm
Screw Ø 4 mm



ROLLED STRAP HINGE WITH CSK HOLES

Code no. 60-080B

L 37 x 80/80 x C 1.5 mm, Hole dia = 5.2 mm
Screw Ø 4 mm



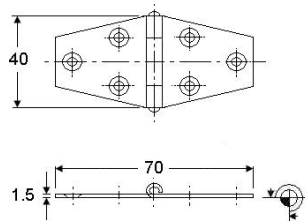
ROLLED STRAP HINGE WITH CSK HOLES

Code no. 60-080C

L 35 x B 160 x C 2 mm, Hole dia = 5.2 mm
Screw Ø 4 mm

Code no. 60-080D

L35 x B 200 x C 2 mm, Hole dia = 5.2 mm
Screw Ø 4 mm



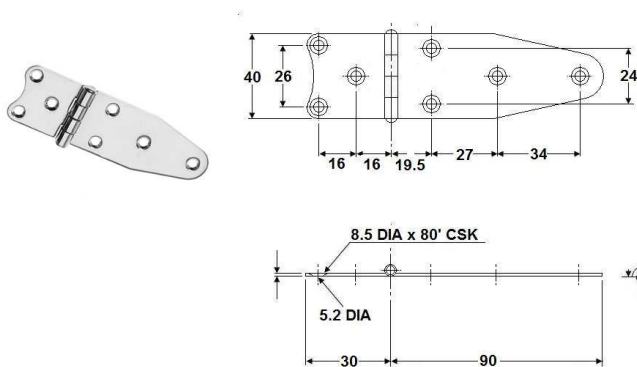
ROLLED HATCH HINGE WITH CSK HOLES

Code no. 60-080E

L 40 x B 70 x C 1.5 mm, Hole dia = 4.2 mm
Screw Ø 3 mm

Dimensions in mm

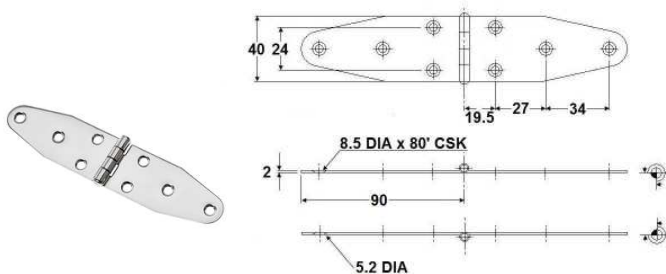
Code no. 60-080
ROLLED STAINLESS STEEL HATCH/STRAP HINGES
With riveted stainless steel pins, material grade 304 (1.4301)
countersunk holes



ROLLED STRAP HINGE WITH CSK HOLES

Code no. 60-080F

L 40 x 30/90 x C 2mm, Hole dia. = 5.2 mm
Screw Ø 4 mm



ROLLED STRAP HINGE WITH CSK HOLES

Code no. 60-080G

L 40 x 90/90 x C 2mm, Hole dia. = 5.2 mm
Screw Ø 4 mm

Code no. 60-080GR

WITH CSK HOLES ON REVERSE SIDE
L 40 x 90/90 x C 2mm, Hole dia. = 5.2 mm
Screw Ø 4 mm

Dimensions in mm