

CALMORE

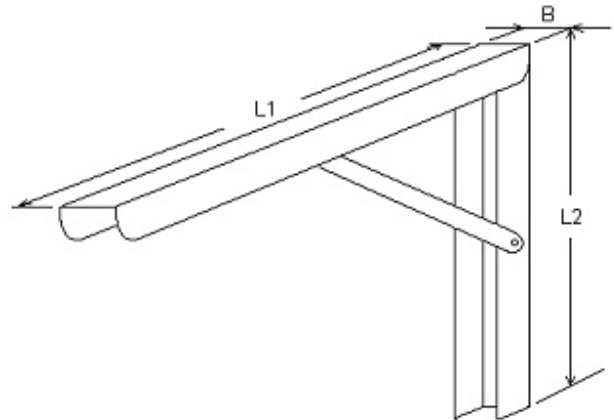
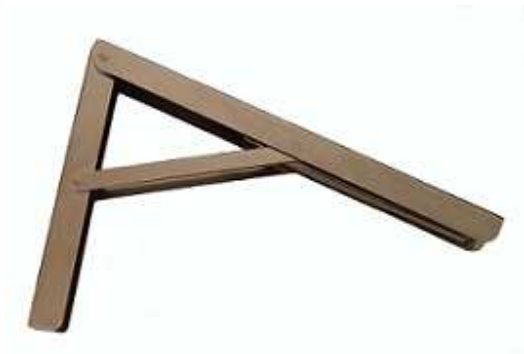
Hinges
Hardware
& Mixers

Code no. 97

ADJUSTABLE FOLDING BRACKETS

Stainless steel grade 304 (1.4301)

Finish: polished



Code	Length = L1	Length = L2	Width = B	Thickness	Hole Dia	No of holes
97-101	300	200	30	1.5	4	6
97-102	400	270	36	2.0	5	9

Dimensions in mm