



CALMORE

Hinges
Hardware
& Mixers

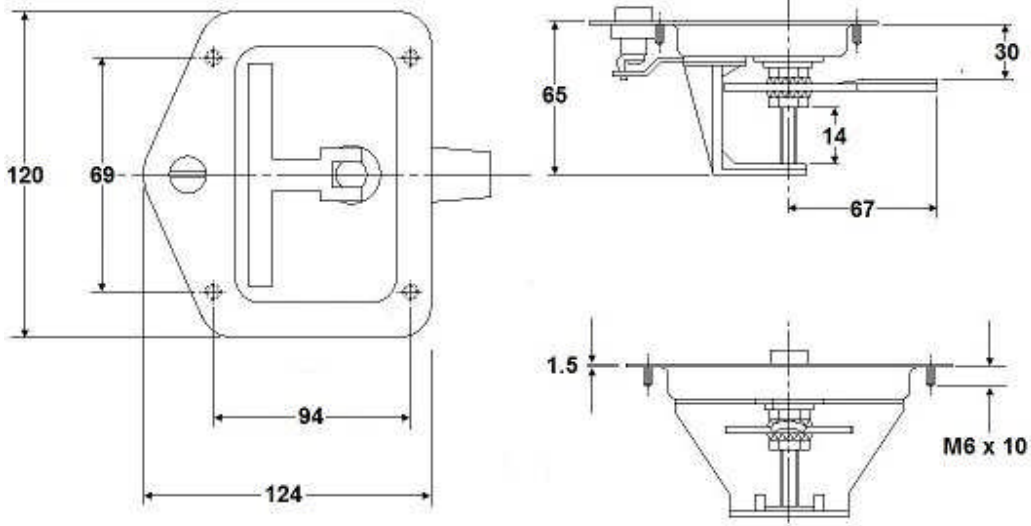
CODE NO. 98-06
DOOR LOCKS AND HANDLES

Code no. 98-06P5
RECESSED DROP T- HANDLE



Stainless steel bowl and handle
Finish: polished
Zinc plated catch and bracket
4 x M6 fixing studs
Adjustable catch
Plastic cover cap for lock
2 keys supplied

Quarter turn clockwise to release catch



Dimensions in mm

www.calmorehinges.co.uk



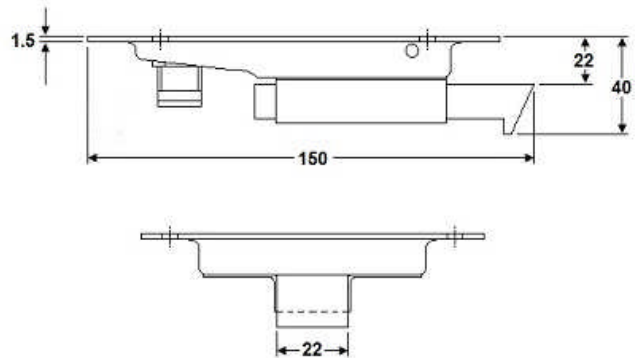
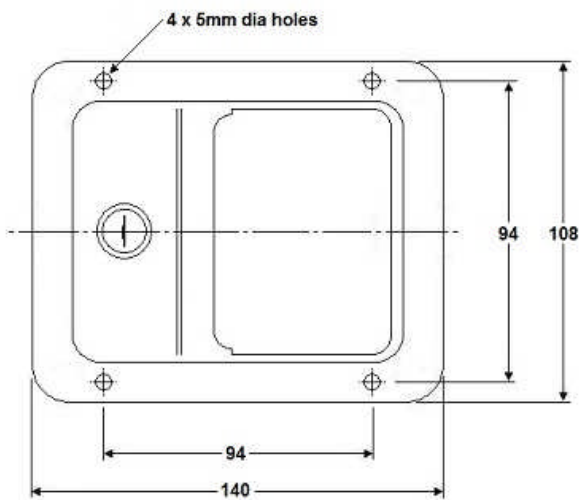
Hinges
Hardware
& Mixers

CODE NO. 98-06
DOOR LOCKS AND HANDLES



Code no. 98-06P6
RECESSED PADDLE HANDLE

Stainless steel bowl and handle
Finish: polished
4 x M6 fixing holes
Locking
2 keys supplied
Dimensions: 140 x 108 mm



Dimensions in mm