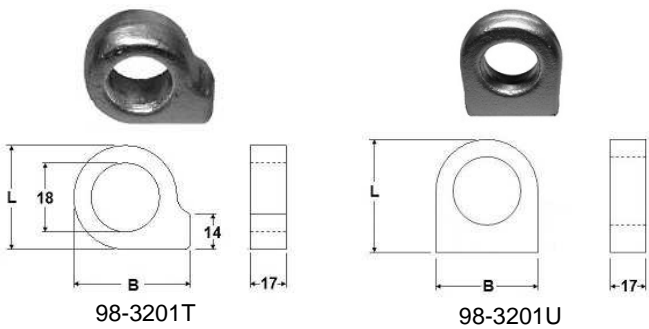




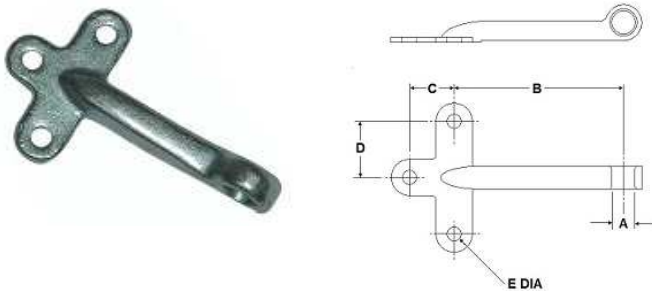
Hinges  
Hardware  
& Mixers

Code no. 98-32  
LATCHES & CATCHES



GALVANIZED CATCHES

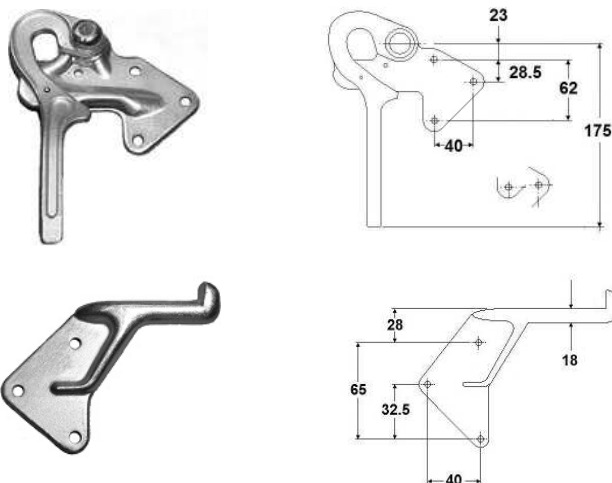
| Code     | L  | B  |
|----------|----|----|
| 98-3201T | 32 | 38 |
| 98-3201U | 38 | 36 |
| 98-3201V | 46 | 40 |



GALVANIZED CATCHES

S = material is steel bright finish

| Code     | A  | B  | C  | D  | E   |
|----------|----|----|----|----|-----|
| 98-3202A | 12 | 60 | 15 | 45 | 6.5 |
| 98-3202B | 16 | 80 | 20 | 50 | 8.5 |
| 98-3202C | 18 | 80 | 25 | 60 | 8.5 |
| 98-3202D | 22 | 90 | 30 | 70 | 8.5 |



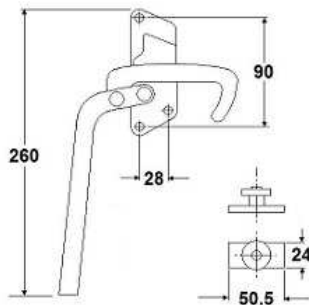
GALVANIZED CATCHES & LATCHES

Code no.98-3203R  
(same as illustration)

Code no.98-3203L

Dimensions in mm

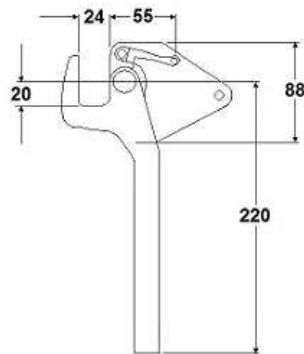
Code no. 98-32  
**LATCHES & CATCHES**



**GALVANIZED CATCHES & LATCHES**

**Code no.98-3204R**  
With right lever

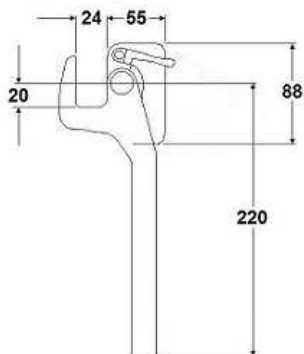
**Code no.98-3204L**  
With left lever (same as illustration)



**LATCHES**

**Code no.98-3205R**  
With right lever, material in steel

**Code no.98-3205L**  
With left lever (same as illustration), material in steel



**CATCHES & LATCHES**

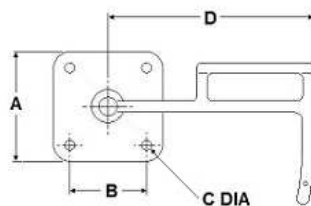
**Code no.98-3206R**  
With right lever, material in steel

**Code no.98-3206L**  
With left lever (same as illustration), material in steel

Dimensions in mm

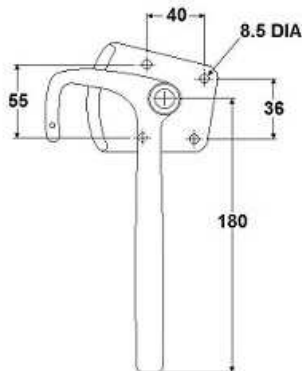
Code no. 98-32  
**LATCHES & CATCHES**

**GALVANIZED LATCHES**



R = with right lever  
L = with right lever (same as illustration)  
S = material steel bright finish

| Code     | A  | B  | C   | D   |
|----------|----|----|-----|-----|
| 98-3207A | 60 | 38 | 6.5 | 111 |
| 98-3207B | 70 | 46 | 8.5 | 130 |
| 98-3207C | 80 | 55 | 8.5 | 165 |
| 98-3207D | 90 | 65 | 8.5 | 200 |



**GALVANIZED LATCHES**

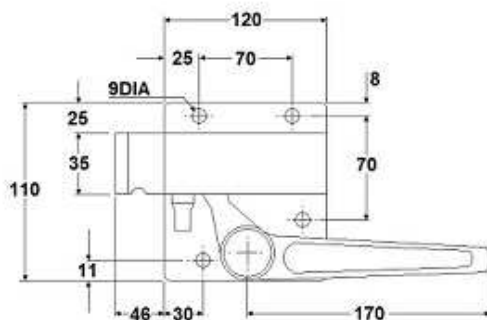
S = material steel bright finish

**Code no.98-3208R**

With right lever

**Code no.98-3208L**

With left lever (same as illustration)



**GALVANIZED LATCHES**

**Code no.98-3209R**

With right lever (same as illustration)

**Code no.98-3209L**

With left lever

Dimensions in mm



Hinges  
Hardware  
& Mixers

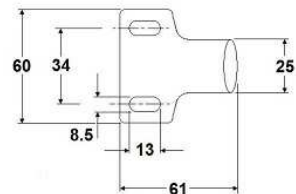
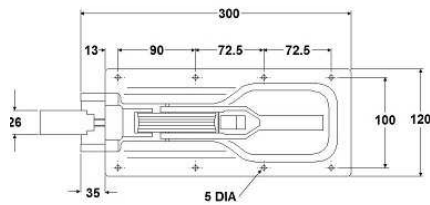
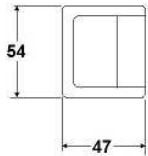
Code no. 98-32  
LATCHES & CATCHES

GALVANIZED CATCHES & LATCHES



**Code no.98-3210R**  
With right lever

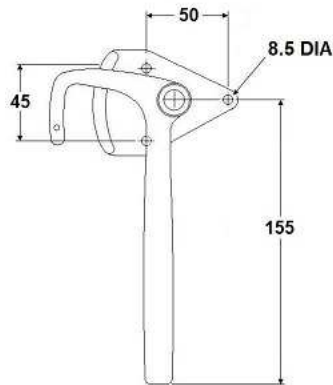
**Code no.98-3210L**  
With left lever (same as illustration)



GALVANIZED LATCHES

**Code no.98-3211R**  
With right lever (same as illustration)

**Code no.98-3211L**  
With left lever



Dimensions in mm