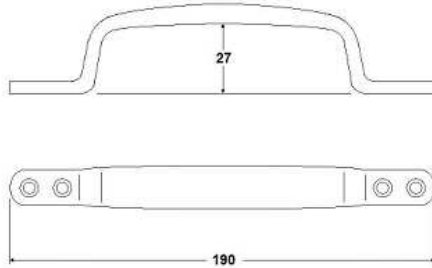


CALMORE

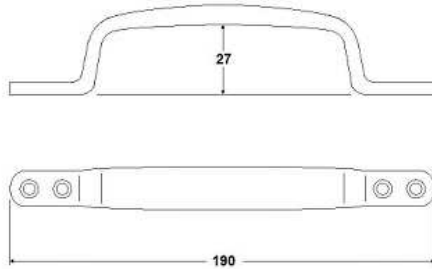
Hinges
Hardware
& Mixers

Code no. 98-40
HANDLES



Code no. 98-4002
ALUMINIUM HANDLE
L 190 x W 20 x H 27 mm

4 x 6 mm Ø csk holes
Handle is not angled
Material: Aluminium
Finish: white plastic coated



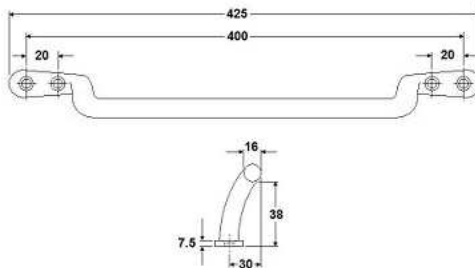
Code no. 98-4003
ALUMINIUM HANDLE
L 190 x W 20 x H 27 mm

4 x 6 mm Ø csk holes
Handle is not angled
Material: Aluminium
Finish: polished



Code no. 98-4025
ALUMINIUM HANDLE
L 500 mm

Angled handle
Material: Aluminium
Finish: polished

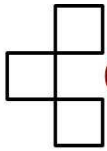


Code no. 98-4028
ALUMINIUM HANDLE
L 425 x W 16 x H 34 mm

4 x 6.5 mm Ø csk holes
Angled handle
Material: Aluminium
Finish: polished

Dimensions in mm

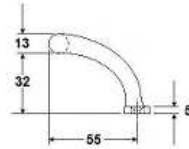
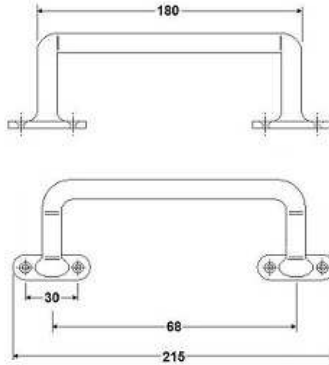
www.calmorehinges.co.uk



CALMORE

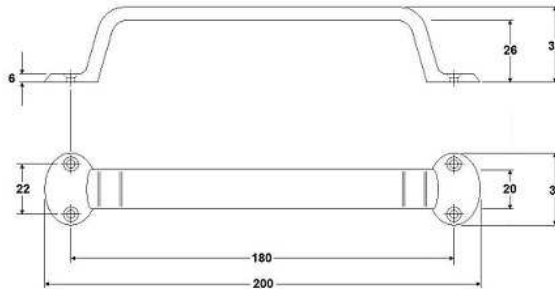
Hinges
Hardware
& Mixers

Code no. 98-40
HANDLES



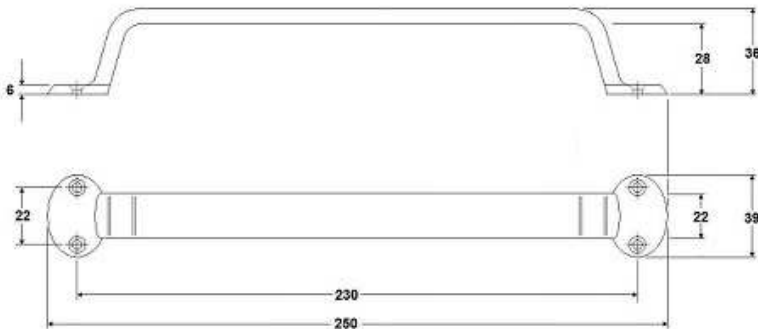
Code no. 98-4032
ALUMINIUM HANDLE
L 215 x W 13 x H 34 mm

4 x 5.5 mm Ø csk holes
Angled handle
Material: Aluminium
Finish: polished



Code no. 98-4035
ALUMINIUM HANDLE
L 200 mm x W 20 x H 26 mm

4 x 4.5 mm Ø csk holes
Handle is not angled
Material: Aluminium
Finish: polished



Code no. 98-4036
ALUMINIUM HANDLE
L 250 mm x W 22 x H 28 mm

4 x 4.5mmØ csk holes
Handle is not angled
Material: Aluminium
Finish: polished

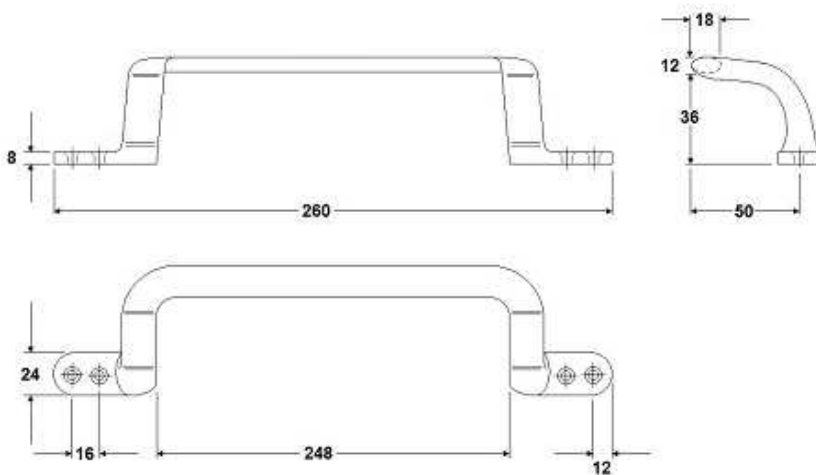
Dimensions in mm

www.calmorehinges.co.uk

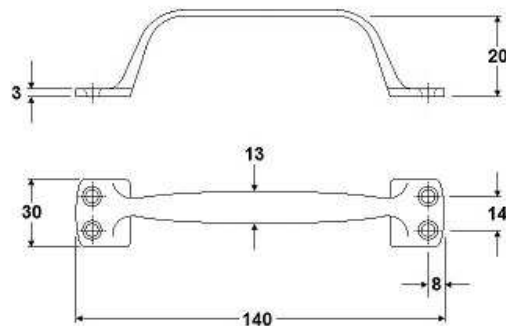


Hinges
Hardware
& Mixers

Code no. 98-40
HANDLES

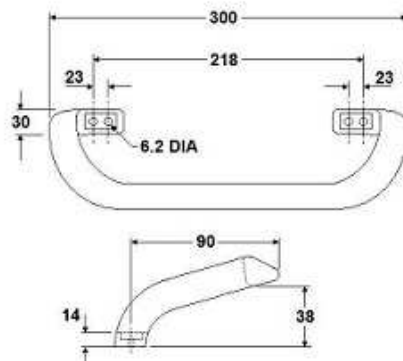


Code no. 98-401
ALUMINIUM HANDLE
L 260 x W 19 x H 35 mm
4 x 5.2 mm Ø csk holes
Angled handle
Material: Aluminium
Finish: polished



Code no. 98-405
ALUMINIUM HANDLE
L 140 x W 13 x H 20 mm

4 x 4.5 mm Ø csk holes
Handle is not angled
Material: Aluminium
Finish: polished



Code no. 98-407
BLACK HANDLE

L 294 x W 20 x H 27 mm
4 x 6.2 mm Ø csk holes
Angled handle
Material: PU foam grain textured,
black colour
Supplied with protection caps

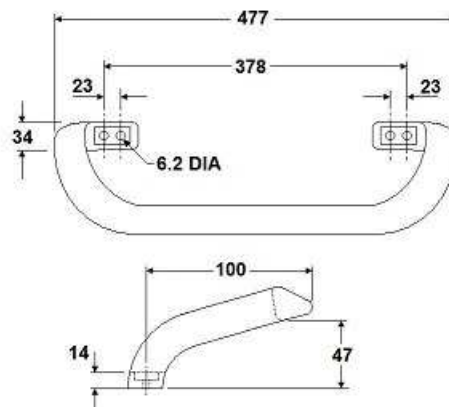
Dimensions in mm

www.calmorehinges.co.uk



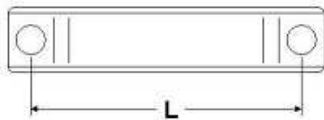
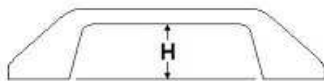
Hinges
Hardware
& Mixers

Code no. 98-40
HANDLES



Code no. 98-4048
BLACK HANDLE
L 477 x W 20 x H 27 mm

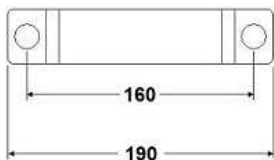
4 x 6.2 mm \varnothing csk holes
Angled handle
Material: PU foam grain textured,
black colour
Supplied with protection caps



Handle is not angled
Material: black Polyamide
Colour: black
Supplied with protection caps

GRIP HANDLE
Code no. 98-4051
L 150 x H 30 mm
4 x 6 mm \varnothing csk holes

Code no. 98-4052
L 150 x H 40 mm
4 x 6 mm \varnothing csk holes



Code no. 98-4054
GRIP HANDLE
L 190 x H 50 mm

4 x 6 mm \varnothing csk holes
Handle is not angled
Material: rubber with steel core
Colour: black
Supplied without protection caps

Dimensions in mm